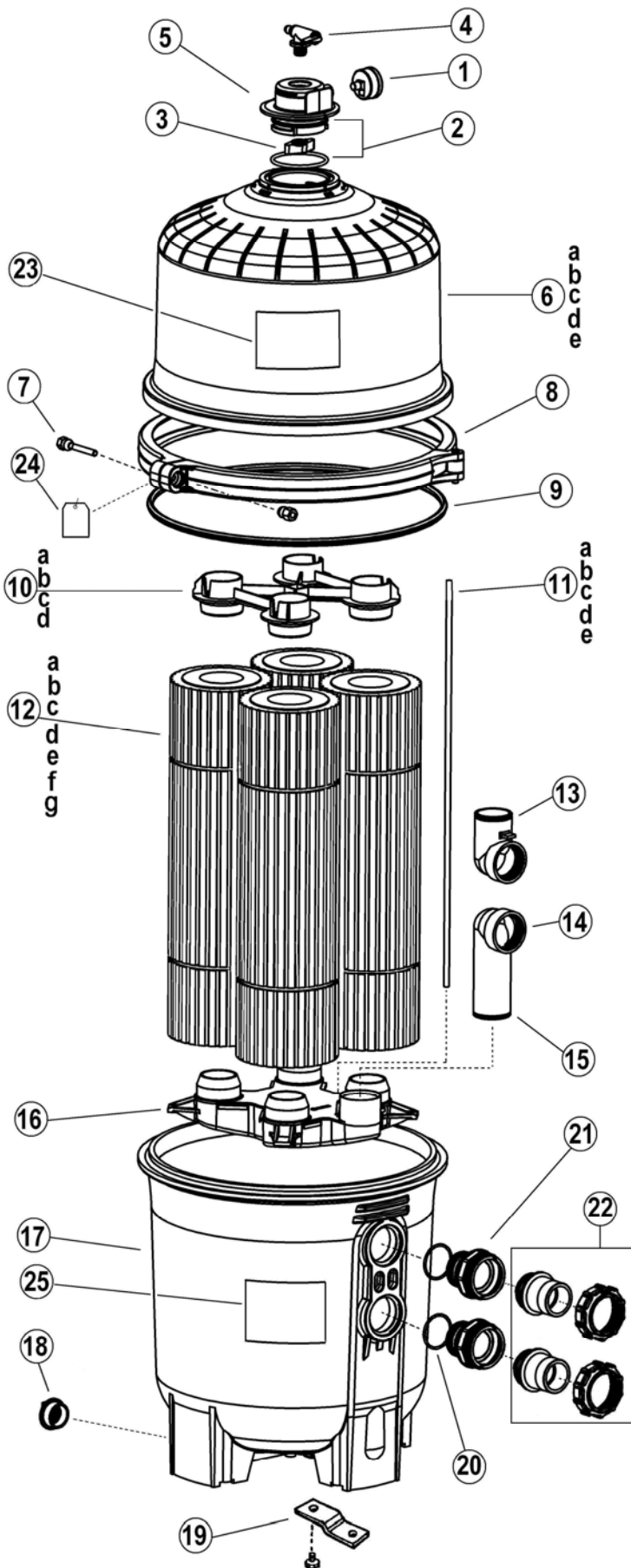


Item	Part No.	Description
1	ECX2712B1	Pressure Gauge
2	DEX2420Z8A	O-Ring Kit (Set of 2)
3	CCX1000N	Air Relief Valve Nut
4	CCX1000V	Manual Air Relief w/O-Ring
5	DE2420MAR2	Manual Air Relief Assembly
6a	DEX2420BT	Upper Filter Body C2025
6b	DEX3620BT	Upper Filter Body C3025
6c	DEX4820BT	Upper Filter Body C4025
6d	DEX6020BT	Upper Filter Body C5025
6e	DEX7220BT	Upper Filter Body C7000
7	DEX2421J2	Clamp Bolt & Nut
8	DEX2421JKIT	Clamp System including: Clamp, Clamp Nut and Bolt, Hang tag, Metal Reinforced Seal, and Labels
9	DEX2422Z2	Metal Reinforced Seal
10a	CX2020DA	Top Closure Plate C2025
10b	CX3020DA	Top Closure Plate C3025,C4025
10c	CX5020DA	Top Closure Plate C5025
10d	CX3020D4	Top Closure Plate C7000 Series
11a	CX800Z4	Air Relief Tube Assy C2025
11b	CX3000Z3	Air Relief Tube Assy C3025
11c	CX4000Z3	Air Relief Tube Assy C4025
11d	CX5000Z3	Air Relief Tube Assy C5025
11e	CX7000Z3	Air Relief Tube Assy C7000
12a	CX480XRE	Cartridge Element C2025 4 Required
12b	CX580XRE	Cartridge Element C3025 4 Required
12c	CX880XRE	Cartridge Element C4025 4 Required
12d	CX875RE	Cartridge Element C4520 Series 4 Required
12e	CX1280XRE	Cartridge Element C5025 4 Required
12f	CX1380RE	Cartridge Element C5520 Series 4 Required
12g	CX590XRE	Cartridge Element C7000 Series 8 Required
-	CX7020M	Mid plate Connector C7000 only
13	CX3000F1	Inlet Elbow
14	CX3020FB	Outlet Elbow
15	DEX360M	O-Ring
16	CX3000C	Bottom Collector Manifold
17	DEX2420AT	Lower Filter Body
18	SP1022C	1 1/2" Drain Plug w/O-Ring
19	DEX2420DCKIT	Strap kit (Optional)
20	SX220Z2	O-ring
21	DEX2420F	Bulkhead Fitting
22	DE2400PAK2CS	Cartridge Filter Plumbing Kit
23	DEX2420LA6PAK	Label Pack: Includes all Warning and Operation Label's Hang Tag, Wire Tie and Owner's Manual
24	DEX2420LA6PAK	Complete as listed above
25	DEX2420LA6PAK	Complete as listed above



USE ONLY HAYWARD GENUINE REPLACEMENT PARTS