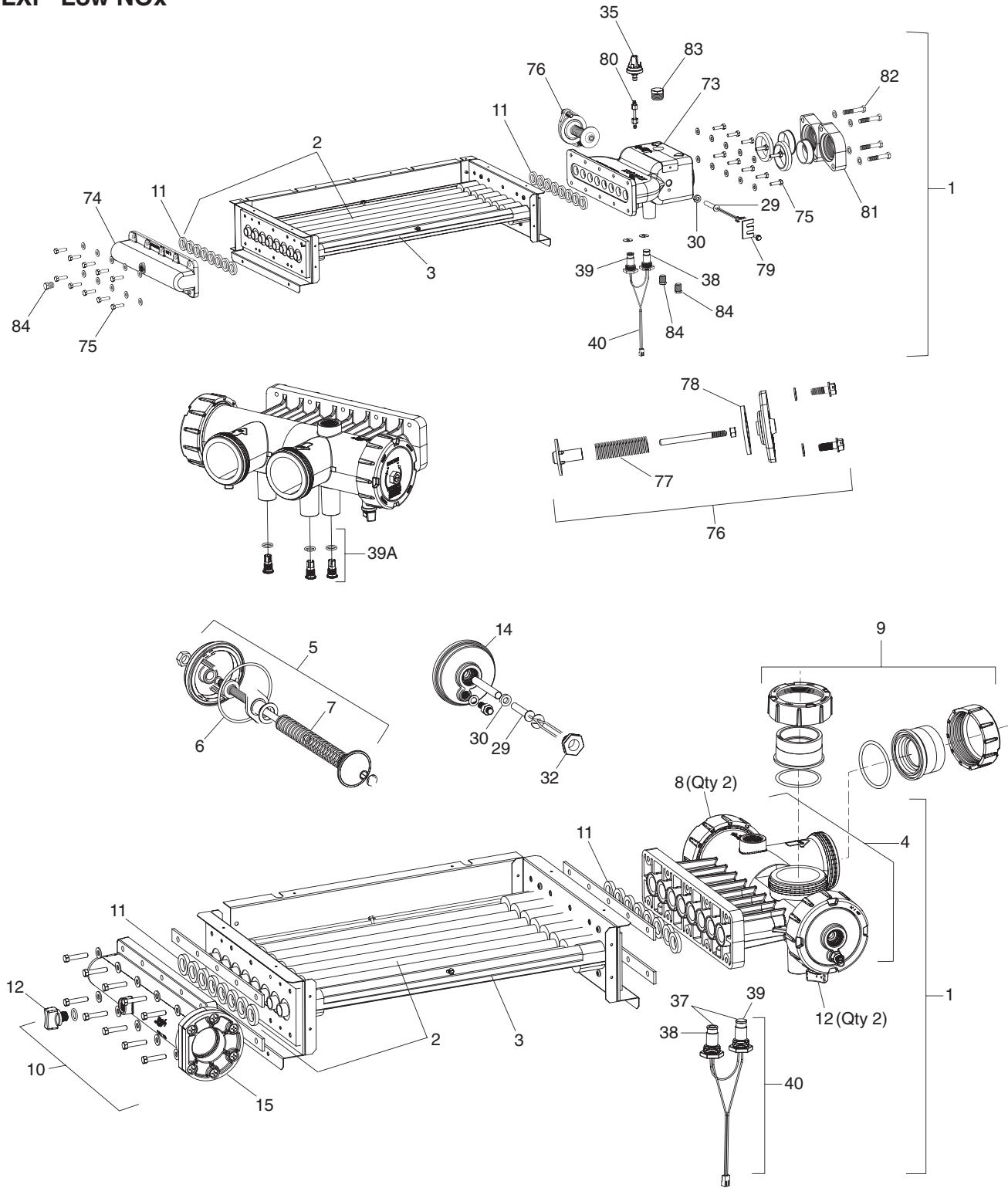


LXi™ Low NOx



Parts Listing on next page.

LXi™ Low NOx Diagram for LXi Low NOx Heater on pages 90–91.

Key No.	Part No.	Description	Model No.
HEAT EXCHANGER COMPONENTS			
1	R0453303	Complete Heat Exch. (Polymer/Copper)	250
1	R0453304	Complete Heat Exch. (Polymer/Copper)	300
1	R0453305	Complete Heat Exch. (Polymer/Copper)	400
2	R0453403	Tube Assy (Cu), w/ Hardware & Gaskets	250
2	R0453406	Tube Assy (Cu), w/ Hardware & Gaskets	300
2	R0453405	Tube Assy (Cu), w/ Hardware & Gaskets	400
2	R0477003	LXi ASME® Certified Heat Exch. Tube Assy, CuNi	250
2	R0477006	LXi ASME Certified Heat Exch. Tube Assy, CuNi	300
2	R0477005	LXi ASME Certified Heat Exch. Tube Assy, CuNi	400
3	R0453503	Heat Exchanger End Baffles	250
3	R0453504	Heat Exchanger End Baffles	300
3	R0453505	Heat Exchanger End Baffles	400
4	R0453600	Front Header, w/ Hardware & Gaskets	All
5	R0453700	Complete Hdwr & O-ring, By-Pass	All
6	R0453800	Bypass Assy w/ O-ring	All
7	R0453900	Spring, Bypass	All
8	R0454000	3" Coupling Nut Kit, w/ O-ring, (Set of 2)	All
9	R0449000	Tailpiece w/ Union Nut (Set of 2), Polymer	All
N/S	R0454100	O-ring, Coupling, (Set of 2)	All
10	R0454200	Rear Header, w/ Hardware & Gaskets	All
11	R0454300	Gasket, Header (front or rear) (Set of 16)	All
12	R0446000	Header Drain Plug w/ O-ring (Set of 2)	All
N/S	R0454500	Heat Exchanger Hardware Kit & Gaskets	All
14	R0455400	Cap Sensor/Press Switch O-ring	All
15	R0454600	Return Header Cap & O-ring	All
N/S	R0501003	Complete HX Assy, Polymer, CuNi	250
N/S	R0501004	Complete HX Assy, Polymer, CuNi	300
N/S	R0501005	Complete HX Assy, Polymer, CuNi	400
GAS COMPONENTS			
16	R0454700	Burner w/ Gasket	All
16	R0454701	Burner w/ Tap and Gasket	All
17	R0454803	Manifold, Gas, Nat. (Low Altitude)	250
17	R0454804	Manifold, Gas, Nat. (Low Altitude)	300
17	R0454805	Manifold, Gas, Nat. (Low Altitude)	400
**17	R0455003	Manifold, Gas, LP (Low Altitude)	250
**17	R0455004	Manifold, Gas, LP (Low Altitude)	300
**17	R0455005	Manifold, Gas, LP (Low Altitude)	400
18	R0455200	Gas Valve Nat w/ Street Elbow	All
18	R0455300	Gas Valve LP w/ Street Elbow	All

Key No.	Part No.	Description	Model No.
EXHAUST SYSTEM			
19	R0455503	Flue Collector w/ Gaskets	250
19	R0455504	Flue Collector w/ Gaskets	300
19	R0455505	Flue Collector w/ Gaskets	400
20	R0455600	Blower Assy w/ Gasket	All
21	R0455700	Air Orifice Adjust Bracket	All
22	R0455803	Flue Vent Assy w/ Gasket (Before 7-2009)	250
22	R0455804	Flue Vent Assy w/ Gasket (Before 7-2009)	300
22	R0455805	Flue Vent Assy w/ Gasket (Before 7-2009)	400
22	R0495503	Flue Vent Assy w/ Gasket (After 7-2009)	250
22	R0495504	Flue Vent Assy w/ Gasket (After 7-2009)	300
22	R0495505	Flue Vent Assy w/ Gasket (After 7-2009)	400
23	R0456001	Outdoor Grill (Before 7-2009)	250,300
23	R0456002	Outdoor Grill (Before 7-2009)	400
23	R0495401	Hot Plate, Split Plate (After 7-2009)	250,300
23	R0495402	Hot Plate, Split Plate (After 7-2009)	400
N/S	R0456100	Vent Hardware Kit	All
25	R0456200	Flue Box Assy w/ Gasket	All
26	R0524300	Vent Box Fusible Link	All
ELECTRICAL COMPONENTS			
27	R0456300	Transformer	All
28	R0456400	Air Pressure Switch	All
29	R0456500	Temperature Sensor Regular	All
29	R0477300	Temperature Sensor (Salt)	All
30	R0456600	Gasket, Temperature Sensor	All
32	R0523900	Nut, Sensor Retainer	All
33	R0456900	Ignition Control	All
34	R0457000	Water Pressure Switch Assy	All
35	R0013200	Water Pressure Switch, 2 psi	All
36	R0457100	Water Pressure Switch Tubing	All
37	R0457200	High Limits Set	All
38	R0457300	High Limit 130°F	All
39	R0023000	High Limits 150°F	All
39A	R0456800	High Limit Plug (Set of 3)	All
40	R0457400	Harness, High Limit Switch	All
41	R0457500	Hot Surface Ignitor	All
N/S	R0457600	Wire Harness Set Complete	All
N/S	R0457700	Harn Pwr Interface Controller (fuse included)	All
N/S	R0457800	Harn Wtr Press Switch, Univ. Cntrl	All
N/S	R0457900	Harn Man. Reset, RL-Out	All
N/S	R0460400	Harn Air Flow Switch	All

N/S-Not Shown

LXi™ Low NOx Diagram for LXi Low NOx Heater on pages 90–91.

Key No.	Part No.	Description	Model No.
ELECTRICAL COMPONENTS (CONTINUED)			
47	R0458100	Power Distribution Circuit Board	All
48	R0458200	Universal Control PI PCB	All
49	R0458300	Univ. Control User Interface	All
50	R0458400	Cover, Display/Bezel	All
N/S	R0458500	Gasket, Display/Bezels	All
JACKET COMPONENTS			
52	R0458600	Flame Sense Rod	All
53	R0012200	Fusible Link	All
54	R0337200	Bracket, Fusible Link	All
55	R0458703	Door w/ Latch	250
55	R0458704	Door w/ Latch	300
55	R0458705	Door w/ Latch	400
56	R0334900	Door Latch Assy w/ Handle	All
57	R0458800	Panel, Side, Left	All
58	R0458900	Panel, Right Side	All
59	R0459000	Panel, Bottom Header, In/Out	All
60	R0459100	Panel Top, Header In/Out	All
61	R0459200	Panel, Return Header Side	All
62	R0459300	Panel, Side Support	All
63	R0459803	Rear Panel	250
63	R0459804	Rear Panel	300
63	R0459805	Rear Panel	400
64	R0459401	Vent Back Cover	250,300
64	R0459402	Vent Back Cover	400
65	R0459503	Top Assy (Before 7-2009)	250
65	R0459504	Top Assy (Before 7-2009)	300
65	R0459505	Top Assy (Before 7-2009)	400
65	R0495303	Top Assy, Split Flue (After 7-2009)	250
65	R0495304	Top Assy, Split Flue (After 7-2009)	300
65	R0495305	Top Assy, Split Flue (After 7-2009)	400
67	R0459903	Front, Support Door	250
67	R0459904	Front, Support Door	300
67	R0459905	Front, Support Door	400
68	R0460003	Housing Air Chamber	250
68	R0460004	Housing Air Chamber	300
68	R0460005	Housing Air Chamber	400
69	R0460103	Cover, Air Chamber	250
69	R0460104	Cover, Air Chamber	300
69	R0460105	Cover, Air Chamber	400
70	R0460200	Cover, Manifold	All
71	R0460300	Grommet Seal 2"	All
72	R0460500	Air Duct	All

Key No.	Part No.	Description	Model No.	List Price
HEAT EXCHANGER COMPONENTS, BRONZE				
73	R0476603	LXi Inlet/Outlet Bronze Header	250	
73	R0476605	LXi Inlet/Outlet Bronze Header	300	
73	R0476606	LXi Inlet/Outlet Bronze Header	400	
74	R0476700	LXi Return Header, Bronze	All	
75	R0477200	LXi Heat Exch. Hardware Kit, Bronze	All	
76	R0476803	LXi I/O Header Bypass Assy w/ Hardware (Bronze Headers)	250	
76	R0476805	LXi I/O Header Bypass Assy w/ Hardware (Bronze Headers)	300	
76	R0476806	LXi I/O Header Bypass Assy w/ Hardware (Bronze Headers)	400	
77	R0476903	LXi Bypass Spring (Bronze Headers)	250	
77	R0476905	LXi Bypass Spring (Bronze Headers)	400	
77	R0476906	LXi Bypass Spring (Bronze Headers)	300	
78	R0011400	LXi Bypass Gasket (Bronze Headers)	All	
79	R0477400	LXi Temp Sensor Mounting Bracket (Bronze Headers)	All	
80	R0477500	LXi Tube Assy, Pressure Switch, Bronze Headers	All	
81	R0477600	LXi Heat Exchanger Flange & Gasket (Set of 2) (Bronze Headers)	All	
82	R0477800	LXi Heat Exchanger Flange Bolts (Bronze Headers)	All	
83	R0477900	LXi In/Out Header Plug, 3/4" NPT (Bronze Headers)	All	
84	R0478000	LXi Bronze Header Drain Plug	All	
N/S	R0500503	Heat Exchanger Complete, Bronze, Cu	250	
N/S	R0500504	Heat Exchanger Complete, Bronze, Cu	300	
N/S	R0500505	Heat Exchanger Complete, Bronze, Cu	400	
N/S	R0500603	Heat Exchanger Complete, Bronze, CuNi	250	
N/S	R0500604	Heat Exchanger Complete, Bronze, CuNi	300	
N/S	R0500605	Heat Exchanger Complete, Bronze, CuNi	400	

N/S-Not Shown

LXi™ Low NOx Diagram for LXi Low NOx Heater on pages 90–91.

Key No.	Part No.	Description	Model No.
REAR HORIZONTAL VENTING			
N/S	R0467301	Vent Adapter Kit, 5"	250
N/S	R0467302	Vent Adapter Kit, 5"	300
N/S	R0467303	Vent Adapter Kit, 6"	400
N/S	R0484405	Vent Accessory Kit, 5" [†]	250
N/S	R0484405	Vent Accessory Kit, 5" [†]	300
N/S	R0484406	Vent Accessory Kit, 6" ^{††}	400
TOP VERTICAL TO HORIZONTAL VENTING			
N/S	R0484301	Vent Adapter Kit, 6"	250
N/S	R0484302	Vent Adapter Kit, 7"	300
N/S	R0484303	Vent Adapter Kit, 8"	400
N/S	R0484406	Vent Accessory Kit, 6" ^{††}	250
N/S	R0484407	Vent Accessory Kit, 7" ^{††}	300
N/S	R0484408	Vent Accessory Kit, 8" ^{††}	400
[†] 5" Vent Accessory Kits contain: 1-appliance adapter 1-12" length of pipe 1-wall thimble 1-horizontal termination ^{††} 6", 7", 8" Vent Accessory Kits contain: 1-appliance adapter 3-12" lengths of pipe 1-90 degree elbow 1-wall thimble 1-horizontal termination			
OPTIONAL			
N/S	R0468803	Noncombustible Base	250
N/S	R0468804	Noncombustible Base	300
N/S	R0468805	Noncombustible Base	400
N/S	R0335800	Touch-up Paint, Black and Pewter	All
N/S	R0336000	Temperature Rise Measurement Kit	All
N/S	R0336100	Pressure Relief Valve	All
N/S	R0322800	High Temp Silicone Sealant	All
N/S	R0467200	Pump Relay Kit	All
N/S	R0467500	Remote Control Panel and Mounting Kit	All
N/S	AUTOHEAT	Remote Control Automation Kit	All

Notes:

1. All hardware sets contain all pieces necessary for assembly, including gaskets.
2. Gaskets and hardware are included in all kits that involve the removal of a gasket as part of the procedure to replace a part.

N/S-Not Shown

** Manifold kit includes installed orifices but does not include gas valve.