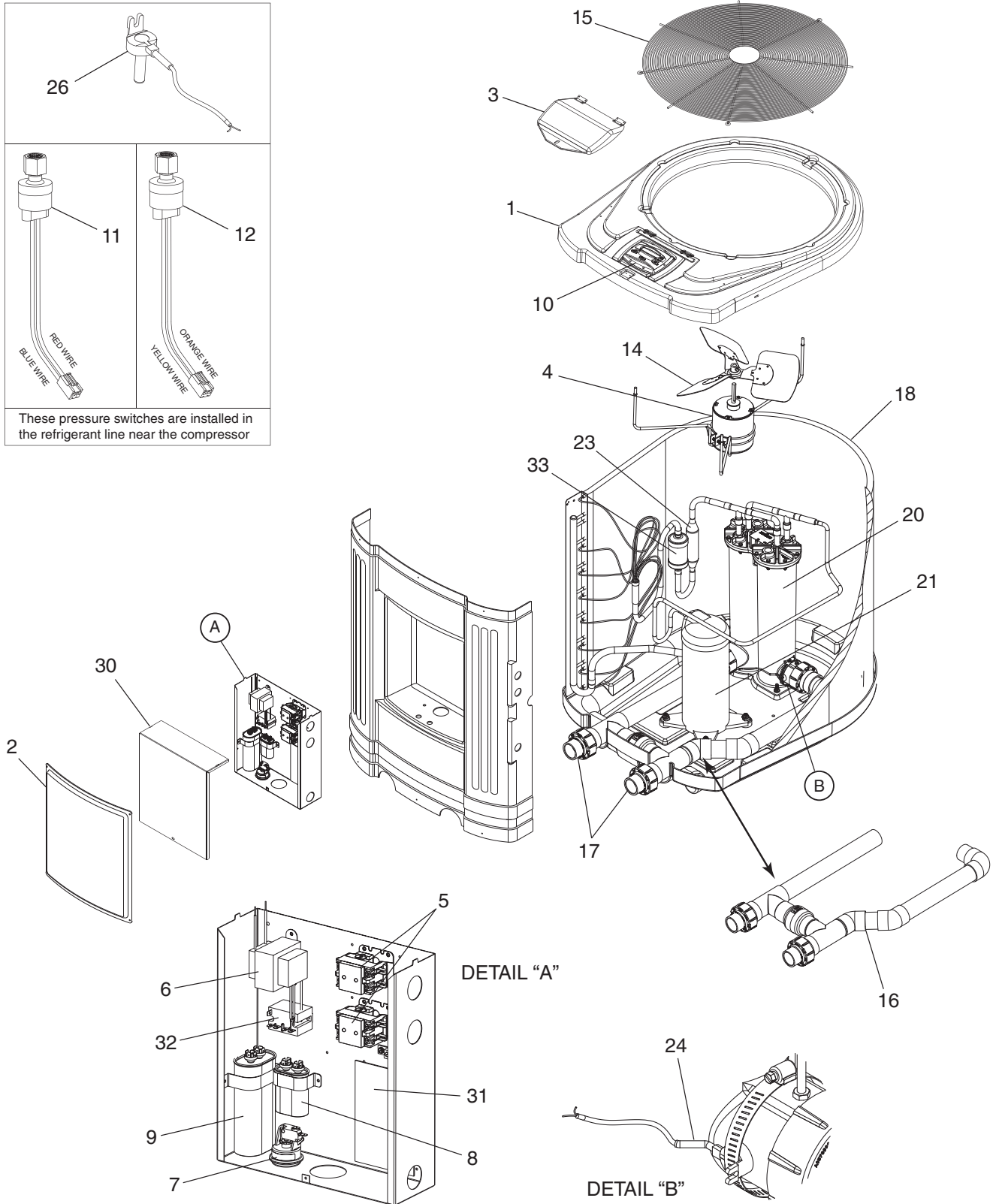
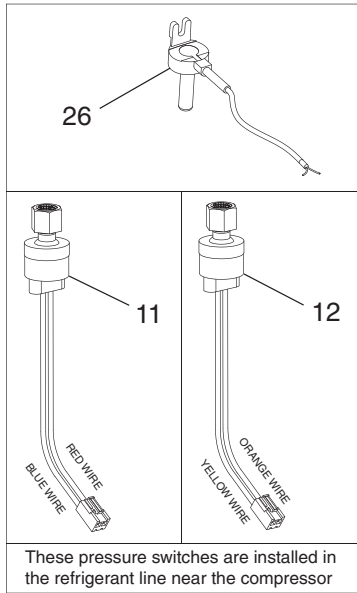


EE-Ti (EE1500, EE2000, EE2500, EE3000) Heat Pump (Mfg. 2010–Present)



EE-Ti (EE1500, EE2000, EE2500, EE3000) Heat Pump (Mfg. 2010–Present)

Key No.	Part No.	Description	Model No.
1	R3009700	Top Enclosure, Jacket	1500
1	R3009100	Top Enclosure, Jacket	2000, 2500, 3000
2	R3000500	Service Access Panel	All
3	R3000601	Control Cover - Smoked	All
4	R3000703	Fan Motor, 1/6 HP, 230 VAC	1500
4	R3000701	Fan Motor, 1/2 HP, 230 VAC	2000, 2500, 3000
5	R3000801	Contactora, 1-Phase	All
5	R3000802	Contactora, 3-Phase	2000, 2500, 3000
6	R3000901	Transformer, 240V 24VA	All
7	R3001000	Adjustable Water Pressure Switch	All
8	R3001101	Capacitor, Fan Motor, 3/370 MFD	1500
8	R3001100	Capacitor, Fan Motor, 7.5/370 MFD	2000, 2500, 3000
9	R3001204	Capacitor, Compressor, 60/370 (1 PH Only)	1500
9	R3001203	Capacitor, Compressor, 80/370 (1PH Only)	2000, 2500, 3000
10	R3008800	Controller Assembly, Universal	All
11	R0509900	Refrigerant HP Switch, 650-460 psig	All
12	R0510001	Refrigerant LP Switch, 58-127 psig	All Non-Reversing
12	R0510002	Refrigerant LP Switch, 35-74 psig	2500R, 3000R
13	R3009000	Wire Harness Kit (Not Shown)	All
14	R3001701	Fan Blade Set	1500
14	R3001700	Fan Blade Set	2000, 2500, 3000
15	R3001801	Fan Guard	1500
15	R3001800	Fan Guard	2000, 2500, 3000
16	R0561601	Plumbing Tree Assy	1500
16	R0561602	Plumbing Tree Assy	2000, 2500, 3000
17	R0472700	Universal Union, Buttress Set	All
18	R0510201	Evaporator Coil/Guard	1500
18	R0510202	Evaporator Coil/Guard	2000
18	R0510203	Evaporator Coil/Guard	2500
18	R0510204	Evaporator Coil/Guard	3000
20	R0561405	Heat Exchanger Replacement Kit, 1X8	1500
20	R0561406	Heat Exchanger Replacement Kit, 2X6	2000
20	R0561407	Heat Exchanger Replacement Kit, 2X7	2500
20	R0561408	Heat Exchanger Replacement Kit, 2X8	3000
21	R0510300	Compressor (40K), 1-Phase	1500
21	R0510400	Compressor (61K), 1-Phase	2000
21	R0510500	Compressor (68K), 1-Phase	2500
21	R0510600	Compressor (83K), 1-Phase	3000

Key No.	Part No.	Description	Model No.
21	R0510900	Compressor (61K), 3-Phase	2000
21	R0510700	Compressor (68K), 3-Phase	2500
21	R0510800	Compressor (83K), 3-Phase	3000
22*	R0509501	Thermal Expansion Valve, 4 Ton	1500
22*	R0509502	Thermal Expansion Valve, 7 Ton	2000
22*	R0509503	Thermal Expansion Valve, 8 Ton	2500
22*	R0509504	Thermal Expansion Valve, 8 Ton	3000
23	R0522500	9 Inch Receiver	All
24	R3002900	Water Temperature Sensor	All
25*	R3003000	3-Phase Monitor (3-Phase Models Only)	2000, 2500, 3000
26	R3003100	Air Temperature Sensor	All
27*	R3003801	Reversing Valve (Optional)	2500R, 3000R
28*	R3003203	Anchor Bracket Set	All
29*	R3004100	Heat Pump Drain Kit	All
30	R3004600	Junction Box Cover	All
31	R3009200	Power Interface PCB	All
32	R3009300	Fan Relay	All
33	R0490904	Filter Drier, 164s	1500
33	R0490905	Filter Drier, 165s	2000, 2500, 3000
33	R0490906	Filter Drier, 165s Bi-Flow	2500R, 3000R
34*	R3001900	Bypass Valve Assy	All
Optional Components			
35*	R0490800	Plast-aid Repair Kit	All

*Not Shown