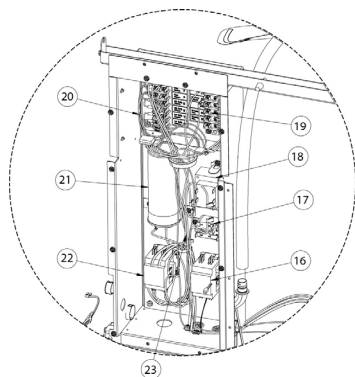


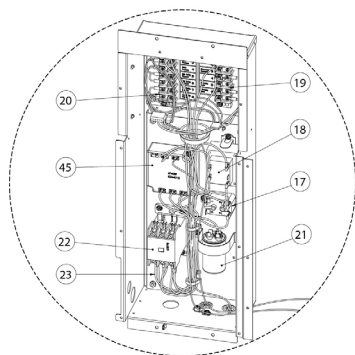
# UltraTemp® Heat Pump

(460931, 460932, 460933, 460935, 460936, 460937,  
460938, 460961, 460962, 460963, 460965, 460967)

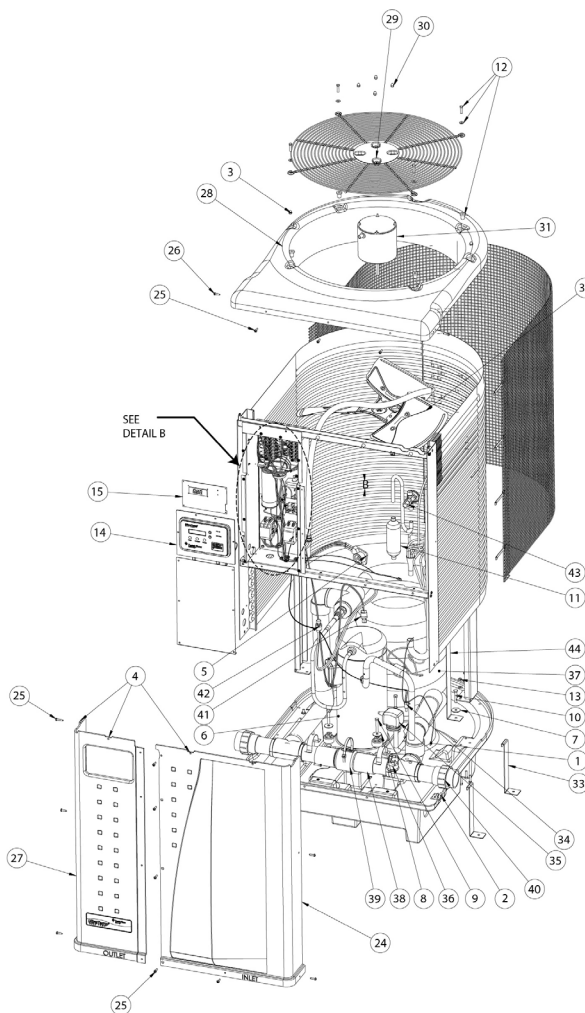
## Replacement Parts



DETAIL B – Single Phase



DETAIL B – Three Phase



Item	Part No.	Description	US List	Can. List
<b>ULTRATEMP REPLACEMENT PARTS</b>				
1	473665	PROBE THERMISTOR DEFROST SENSOR	38.10	39.24
2	470284	NUT, J-CLIP	2.67	2.75
3	473285	NUT, 1/4-20 SS ACORN	1.11	1.14
4	470281	NUT, U-CLIP	2.23	2.30
5	473732	WIRE HARNESS, COMPRESSOR (1PH-60HZ)	84.40	86.93
5	474009	WIRE HARNESS, COMPRESSOR (1PH-50HZ)	88.09	90.73
5	474010	WIRE HARNESS, COMPRESSOR (3-PHASE MODELS)	87.71	90.34

Item	Part No.	Description	US List	Can. List
<b>ULTRATEMP REPLACEMENT PARTS</b>				
6	473734Z	COMPRESSOR, SCROLL ZP83 (MODEL 120, 120HC)	2343.16	2413.45
6	473735Z	COMPRESSOR, SCROLL ZP70 (MODEL 110)	2079.71	2142.10
6	474011Z	COMPRESSOR KIT, SCROLL HLJ83 (3-PHASE MODEL 120C ONLY)	2352.83	2423.41
6	473780Z	COMPRESSOR SCROLL HLJ072 (MODEL 90I)	2239.58	2306.77
6	474081Z	COMPRESSOR SCROLL HLJ083 (MODEL 100I)	2463.55	2537.46
6	474241Z	COMPRESSOR SCROLL ZP61 (MODEL 90)	CALL	CALL

# UltraTemp® Heat Pump (Cont'd)

## Replacement Parts

Item	Part No.	Description	US List	Can. List
<b>ULTRATEMP REPLACEMENT PARTS</b>				
7	473295	FENDER WASHER	1.11	1.14
8	473736	COMPRESSOR ISOLATION KIT, GROMMET AND SPACER 1 SET	23.96	24.68
9	473745	BOLT 5/16-18 x 2 in. SS	3.88	4.00
10	98219800	BOLT 5/16-18 x 1 in. SS	1.33	1.37
11	473121	DRIER (MODEL 90, 110, 120, 120C, 100I, 90I HEAT ONLY)	82.57	85.05
11	473139	DRIER (MODEL 120HC)	245.32	252.68
12	470441	FAN GUARD FASTENER KIT	6.82	7.02
13	071406	NUT, 1/4-20 HEX SS	1.33	1.37
14/15	472734	BEZEL, CONTROL BOARD AND LABEL KIT	380.96	392.39
16	473603	PUMP CONTACTOR AUTOHEAT (MODEL 110, 120, 120HC, 100I ONLY)	51.69	53.24
17	473150	FAN RELAY	96.71	99.61
17	474016	FAN RELAY (3PH-50HZ ONLY)	104.51	107.65
18	473155	TRANSFORMER	141.33	145.57
18	473790	TRANSFORMER (3PH-50HZ ONLY)	149.31	153.79
19	473422	WIRE HARNESS TERMINAL BLOCK-FAN, COMPRESSOR	72.81	74.99
20	473315	WIRE HARNESS, TERMINAL BLOCK-SENSORS	88.89	91.56
21	473731	CAPACITOR (MODEL 90, 110, 120, 120HC ONLY)	81.90	84.36
21	473154	CAPACITOR (3-PHASE MODEL 120C ONLY)	52.17	53.74
21	470146	CAPACITOR (MODEL 100I)	71.81	73.96
22	473149	CONTACTOR, HEAT PUMP (MODEL 90, 110, 120, 120HC, 100I ONLY)	150.17	154.68
22	473778	CONTACTOR, HEAT PUMP (3-PHASE MODELS)	385.16	396.71
23	473423	WIRE HARNESS, MAIN (MODEL 90, 110, 120, 120HC, 100I ONLY)	70.49	72.60
23	474021	WIRE HARNESS, MAIN (3-PHASE MODEL 120C ONLY)	128.38	132.23
23	474031	WIRE HARNESS, MAIN (3-PHASE MODEL 90I ONLY)	134.38	138.41
24	473742	PANEL, FRONT RIGHT	205.77	211.94
24	474194	PANEL, FRONT RIGHT, 36 in. BLACK	205.77	211.94
24	473431	PANEL, FRONT RIGHT (MODEL 100I ONLY)	200.96	206.99
24	473412	PANEL, FRONT RIGHT (MODEL 90, 90I ONLY)	176.44	181.73
24	474265	PANEL, FRONT RIGHT (MODEL 90 BLACK)	CALL	CALL
25	470159	SCREW #10 x .75 in. PAN HEAD PHILLIPS, ALMOND HEAD	1.11	1.14
25	474198	SCREW #10 x .75 in. PAN HEAD PHILLIPS, BLACK HEAD	1.11	1.14
26	470161	SCREW #10 x 1 in. BUTTON HEAD TORX, ALMOND HEAD	1.11	1.14
26	474197	SCREW #10 x 1 in. BUTTON HEAD TORX, BLACK HEAD	1.11	1.14
27	473755	PANEL, FRONT LEFT, W/ DECAL	217.66	224.19

Item	Part No.	Description	US List	Can. List
27	474196	PANEL, FRONT LEFT, W/ DECAL, 36 in. BLACK	217.66	224.19
27	474202	PANEL, FRONT LEFT, W/ DECAL (MODEL 100I ONLY)	212.26	218.63
27	474203	PANEL, FRONT LEFT, W/ DECAL (MODEL 90, AND 90I ONLY)	199.72	205.71
27	474249	PANEL, FRONT LEFT, W/DECAL, 24" BLACK	CALL	CALL
28	473773	HP TOP	372.60	383.78
28	474193	HP TOP, BLACK	372.60	383.78
29	473786	GUARD, FAN	137.01	141.12
30	470439	NUT, #10-32 SS ACORN	4.45	4.58
31	473785	FAN MOTOR W/ ACORN NUT KIT	334.34	344.37
31	474030Z	FAN MOTOR W/ ACORN NUT KIT (MODEL 90I ONLY)	462.85	476.74
32	473783	FAN BLADE (60 Hz)	157.55	162.28
32	474230	FAN BLADE (50 Hz)	157.55	162.28
33	470137	TIE DOWN BRACKET	17.24	17.76
34	471566	PROBE THERMISTERS - WATER TEMPERATURE	44.89	46.24
35	473606	WATER PRESSURE SWITCH BOOT	5.79	5.96
36	473605	WATER PRESSURE SWITCH	66.06	68.04
37	473992	TITANIUM HEAT EXCHANGER	2747.27	2829.69
37	472736	TITANIUM HEAT EXCHANGER (MODEL 100I AND 90 ONLY)	2745.74	2828.11
37	472737	TITANIUM HEAT EXCHANGER (MODEL 90I ONLY)	2414.86	2487.31
38	473774Z	WATER BYPASS MANIFOLD W/ 2 STREET ELBOWS	422.68	435.36
39	R172305	WATER BYPASS CHECK VALVE	28.26	29.11
40	473381	UNION PVC 2 in.	24.32	25.05
41	473656	SWITCH, LOW PRESSURE	99.77	102.76
42	473744	SWITCH, HIGH PRESSURE	81.45	83.89
43	473787	THERMOSTATIC EXPANSION VALVE (MODEL 120, 120C, 100I, 90I)	214.77	221.21
43	473999	THERMOSTATIC EXPANSION VALVE (MODEL 120HC, 110)	214.77	221.21
43	474248	THERMOSTATIC EXPANSION VALVE (MODEL 100I)	214.76	221.20
43	474242	THERMOSTATIC EXPANSION VALVE (MODEL 90)	CALL	CALL
44	473657	TITANIUM WATER COIL TIE DOWN STRAP (2 ON MODEL 90I, 1 ON MODEL 90 & 100I)	30.83	31.75
44	473772	TITANIUM WATER COIL TIE DOWN STRAP (1 ON ALL MODELS EXCEPT MODEL 90I)	CALL	CALL
44	473789	TITANIUM WATER COIL TIE DOWN STRAP (1 ON ALL MODELS EXCEPT MODELS 90, 90I & 100I)	68.27	70.32
45	474089	PHASE MONITOR	215.44	221.90
<b>NOT SHOWN</b>				
	473135	REVERSING VALVE (Model 120HC) [not shown] FOR HEAT COOL ONLY	767.80	790.83
	473432	REVERSING SOLENOID (Model 120HC) [not shown] FOR HEAT COOL ONLY	181.65	187.10