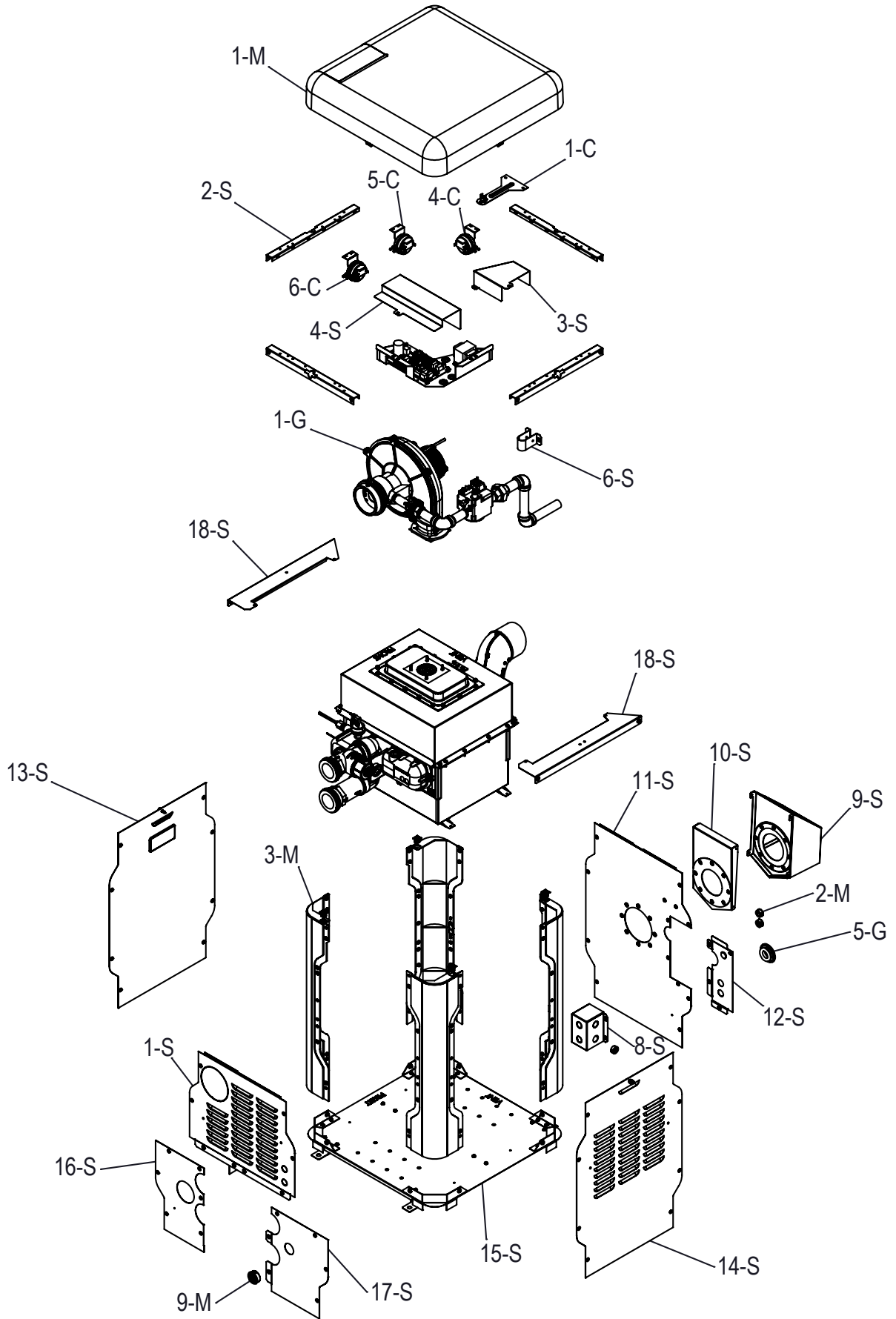
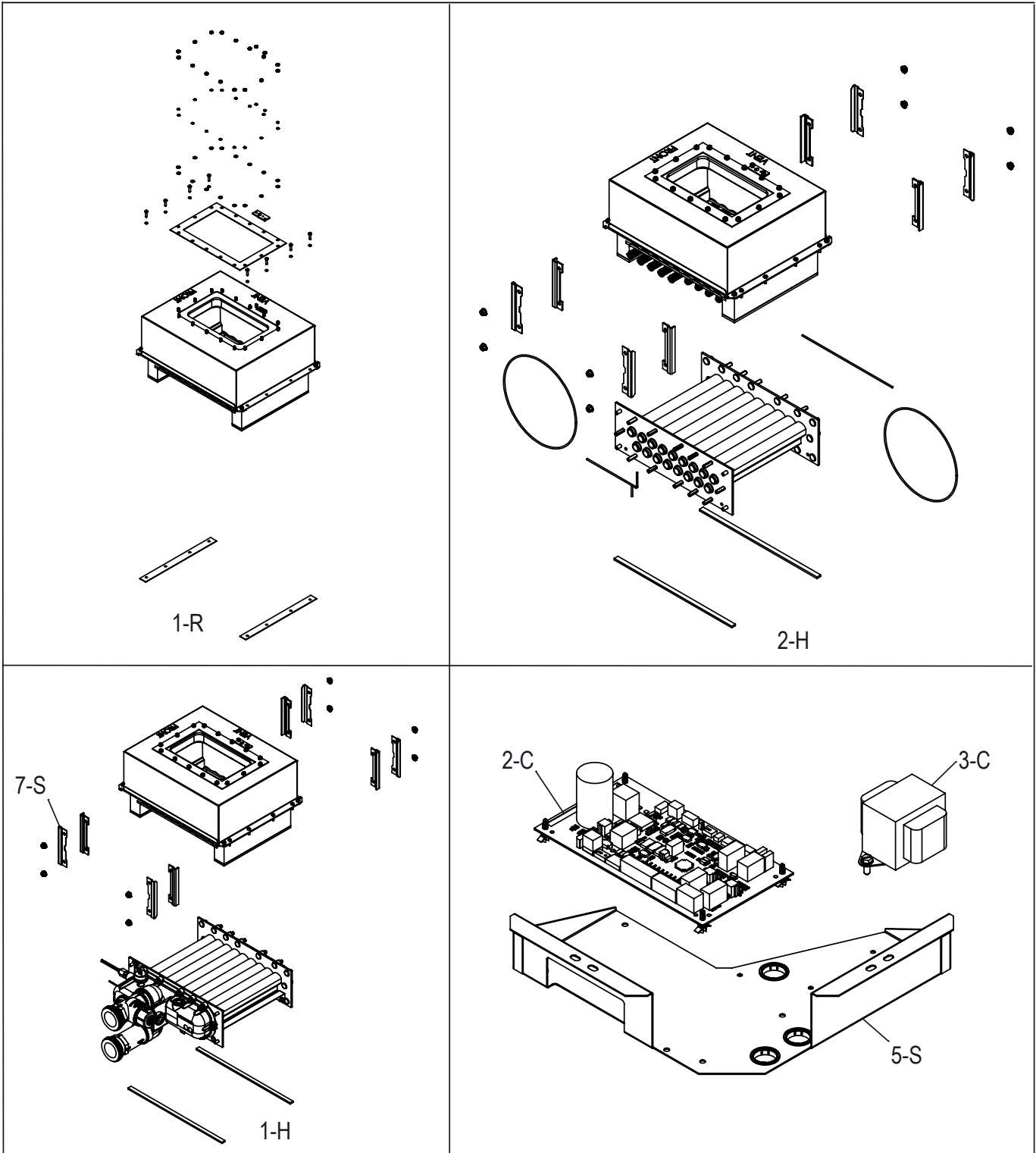
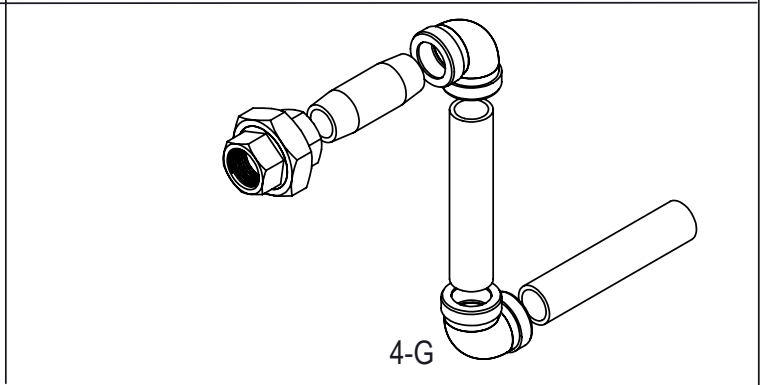
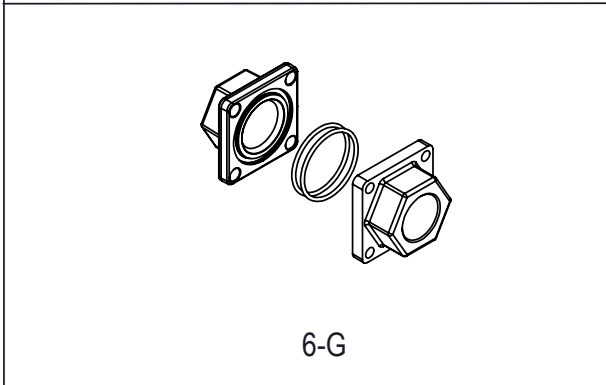
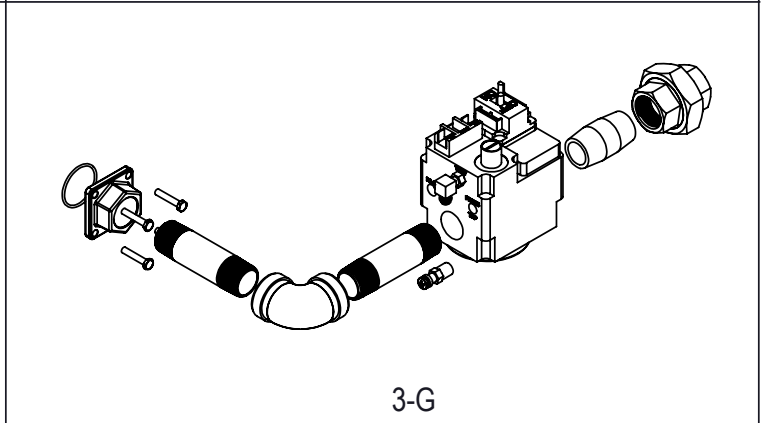
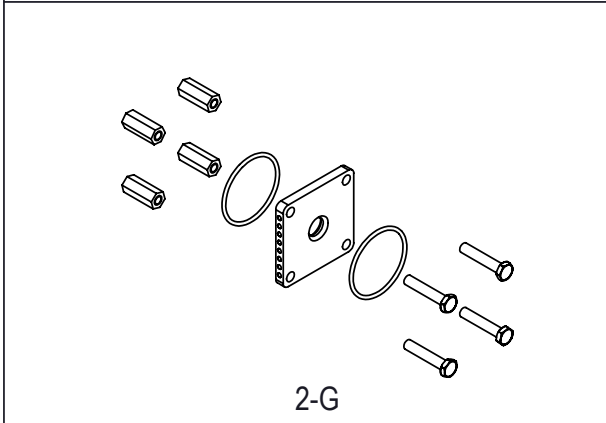
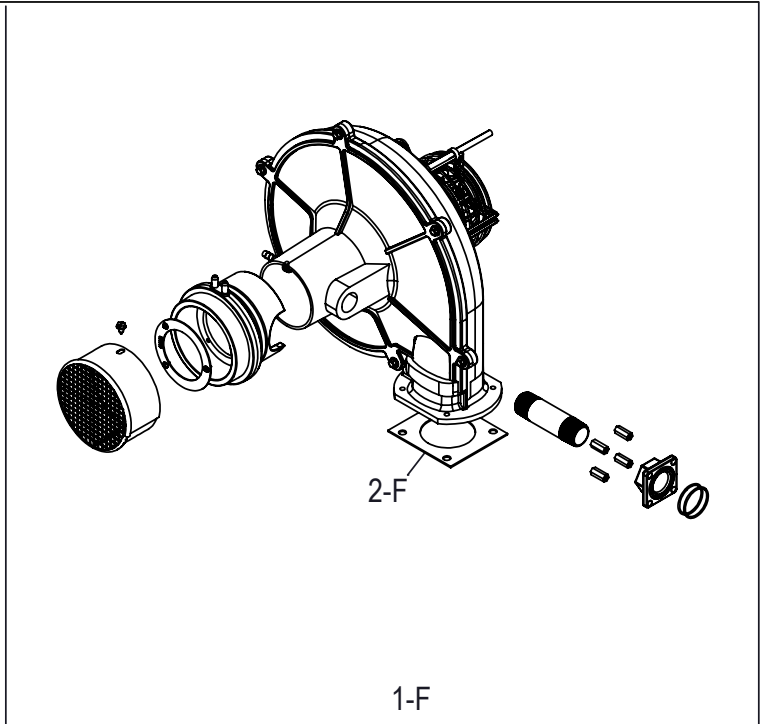
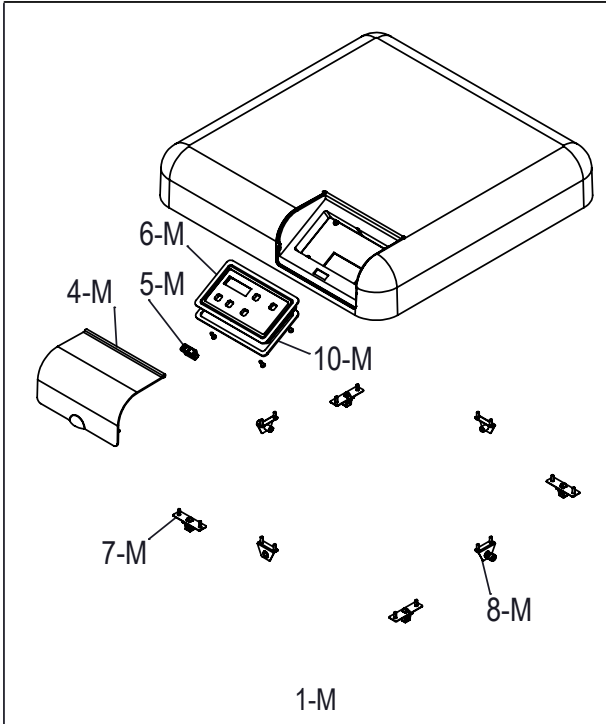


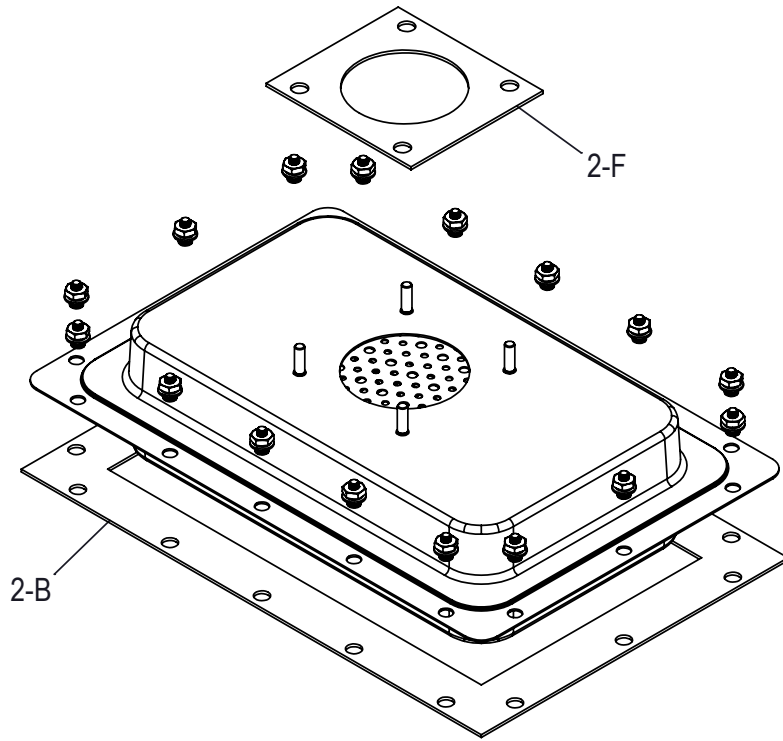
15. ILLUSTRATED PARTS LIST



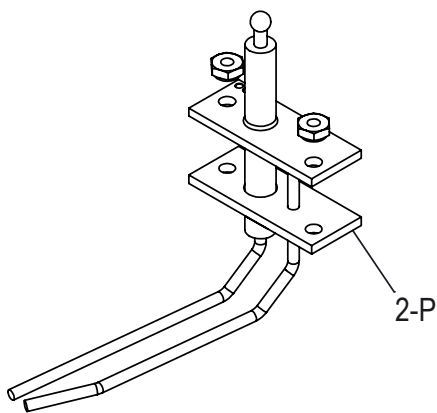




APPROVED



1-B



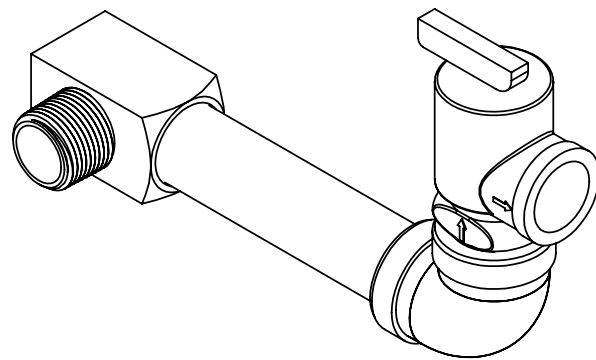
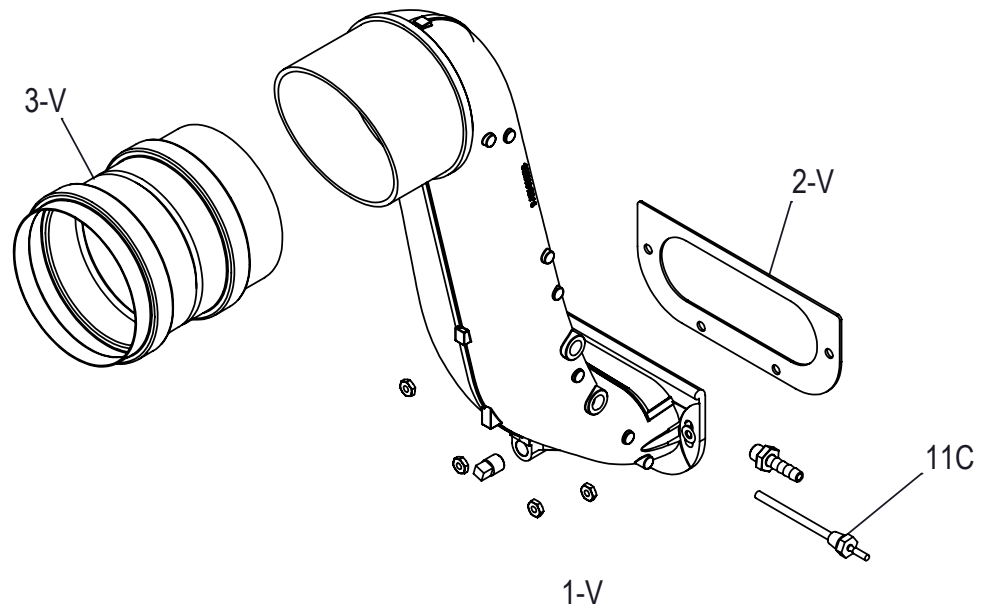
1-P

2-P

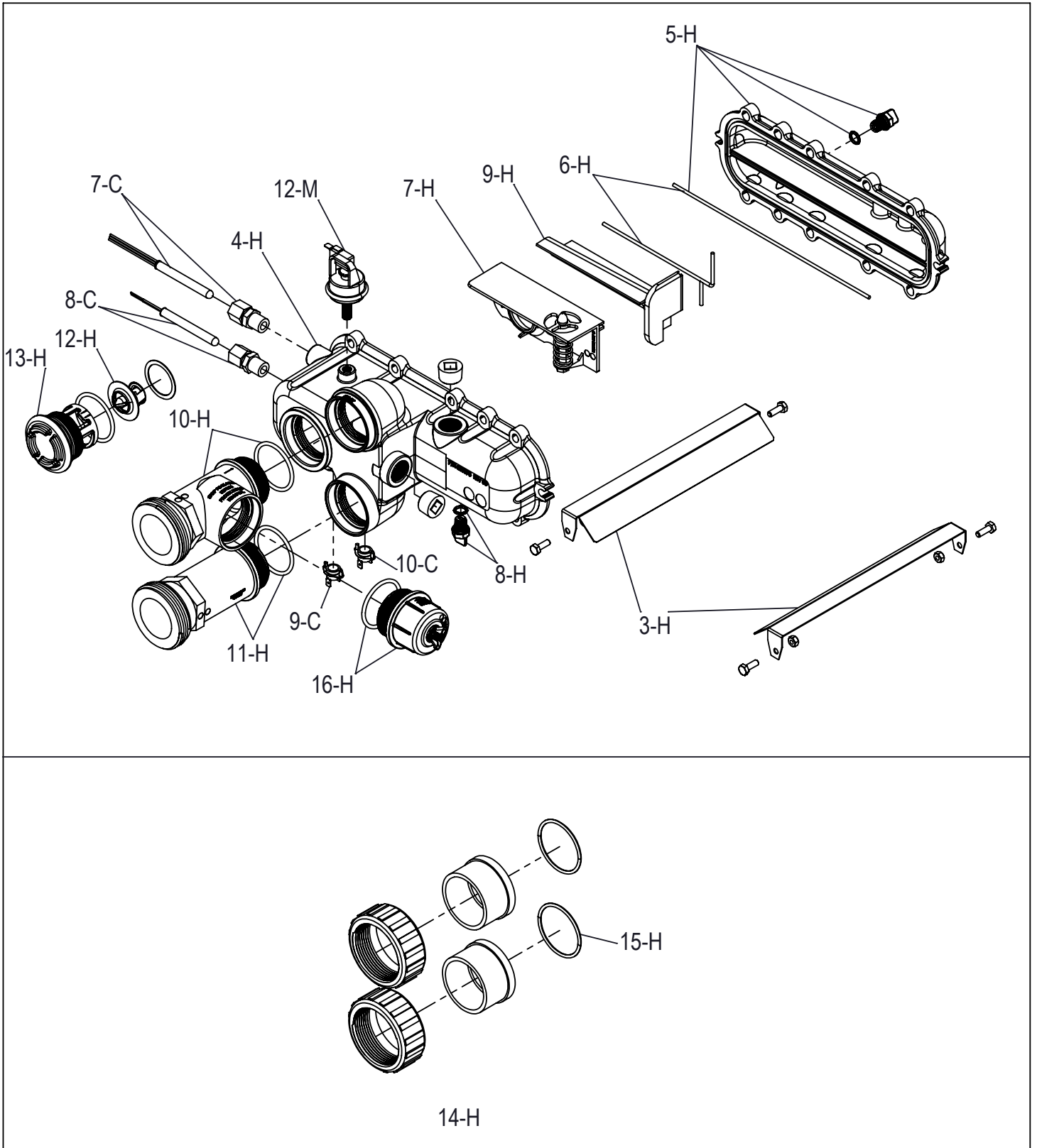


3-P

APPROVED



11-M (OPTIONAL)



APPROVED

CALL OUT	DESCRIPTION	264A	404A
B	BURNER		
1-B	Kit-Burner	018873F	018873F
2-B	Kit-Burner Gasket	018878F	018878F
C	CONTROLS		
1-C	Kit-Temp Sensor Limit	018853F	018853F
2-C	Kit-Ignition Board	018857F	018933F
3-C	Kit-Transformer 120/240/24V	018858F	018858F
4-C	Kit-Pressure Vent	018928F	018928F
5-C	Kit-Pressure Air	018929F	018929F
6-C	Kit-Pressure Differential	018930F	018931F
7-C	Kit-Temperature Inlet Sensor	019042F	019042F
8-C	Kit-Temperature Outlet Sensor	019043F	019043F
9-C	Kit-High Limit 2-HL2-Surface Mount	019044F	019044F
10-C	Kit-High Limit 1-HL1-Surface Mount	019045F	019045F
11-C	Kit-Temperature Vent Sensor	019046F	019046F
F	FAN		
1-F	Kit-Blower Comb Air	018865F	018961F
2-F	Kit-Blower Gasket	018898F	018898F
G	GAS VALVE		
1-G	Blower/Gas Train Assy		
	Kit-Blower/Gas Train Natural (0-4500 Ft)	018861F	018862F
	Kit-Blower/Gas Train Propane (0-4500 Ft)	018863F	018864F
2-G	Gas Orifice		
	Kit-Gas Orifice Natural (0-4500 Ft)	018866F	018867F
	Kit-Gas Orifice Propane (0-4500 Ft)	018868F	018869F
3-G	Kit-Gas Valve w/ Gas Line Half	018870F	018870F
4-G	Kit-Gas Line End	018871F	018871F
5-G	Kit-Gas Line Grommet	018886F	018886F
6-G	Kit-Adapter Gas Orifice	018926F	018926F
H	HEAT EXCHANGER		
1-H	Kit-Heat Exchanger (Includes Refractory)	018900F	018901F
2-H	Kit-Tube Bundle (Includes Refractory)*	018849F	018850F
3-H	Kit-Heat Exchanger Baffle	019047F	019048F
4-H	Kit-Inlet/Outlet Header Complete	019049F	019049F
	Kit-Inlet /Outlet Header	019050F	019050F
5-H	Kit-Return Header	019051F	019051F
6-H	Kit-Header Gasket (2)	019052F	019052F
7-H	Kit-Bypass Assy (w/Coils)		
	Level 0 Flow	019053F	019056F
	Level 1 Flow (Nominal)	019054F	019057F
	Level 2 Flow	019055F	019058F
8-H	Kit-Drain Plug Pool	006721F	006721F
9-H	Kit-Inlet/Outlet Header Dam	019059F	019059F
10-H	Kit-Inlet Header Adapter	019060F	019060F
11-H	Kit-Outlet Header Adapter	019061F	019061F
12-H	Kit-Unitherm Governor	019062F	019062F
13-H	Kit-Unitherm Governor Plug Polymer	019063F	019063F
14-H	Kit-2" CPVC Connector & Nut (2)	006723F	006723F
15-H	Kit-O Ring Inlet/Outlet Pool (2)	006724F	006724F
16-H	Kit-ProTek Shield Assy	017960F	017960F

*WARNING: The Hydraulic conditions or water chemistry that caused the tube bundle to fail have very likely also damaged the bypass valve. We recommend to inspect the bypass assembly. Failure to do so could cause premature failure of this replacement part.

APPROVED

M	MISCELLANEOUS COMPONENTS		
1-M	Kit-Top Cover Assy	018852F	018852F
4-M	Kit-Top Lid	018902F	018902F
5-M	Kit-Power Switch	018903F	018903F
6-M	Kit-Bezel	018904F	018904F
7-M	Kit-Top Clip Assy	018905F	018905F
8-M	Kit-Top Knurled Screw Assy	018906F	018906F
10-M	Kit-Bezel Gasket	018921F	018921F
2-M	Kit-Power Cable Grommet	018884F	018884F
3-M	Kit-Corner Post	018891F	018891F
9-M	Kit-PRV Grommet	018920F	018920F
11-M	Kit-PRV Line	018936F	018936F
12-M	Kit-Pressure Switch 1.75 PSI	006737F	006737F
22-M	Kit-Pressure Switch 11 PSI Special-See Water Pressure Switch Adj. (Not Shown)	009133F	009133F
13-M	Kit-Wire Bonding 14/6 Connector	007155F	007155F
14-M	Kit-Tube Air Sample (Blower/Vent/Air Pressure Switch)	010348F	010348F
15-M	Kit-Wire/Harness (Not Shown)	019064F	019064F
16-M	Touch-up Paint (Not Shown)		
	Cool Dark Gray	750256	750256
	Warm Dark Gray	750258	750258
	Maroon	750265	750265
17-M	Kit-Delimiting (Not Shown)	052871F	052871F
18-M	RTV Sealant 2.8 oz (Not Shown)	008924F	008924F
19-M	RTV Sealant 10 oz (Not Shown)	005755F	005755F
20-M	Kit-Elevation Natural (Not Shown)	019065F	019066F
21-M	Kit-Elevation Propane (Not Shown)	019067F	019068F

APPROVED

CALL OUT	DESCRIPTION	264A	404A
P	PILOT		
1-P	Kit-Igniter Direct Spark	018874F	018874F
2-P	Kit-Igniter Gasket	018879F	018879F
3-P	Kit-Hi Tension Wire	018875F	018875F
R	REFRACTORY		
1-R	Kit-Refractory Assy	018848F	018848F
S	SHEET METAL / CABINET		
1-S	Kit-Top Right Panel Assy Raypak/Rheem/Ruud (Cool Dark Gray) Jacuzzi (Beige)	018851F 018973F	018851F 018973F
2-S	Kit-Cabinet Top Support	018854F	018854F
3-S	Kit-Transformer Cover	018855F	018855F
4-S	Kit-Ignition Board Cover	018856F	018856F
5-S	Kit-Ignition Board Mounting	018859F	018859F
6-S	Kit-Anti Rotation Gas Valve Bracket	018860F	018860F
7-S	Kit-Comb Chamber Seal	018872F	018872F
8-S	Kit-Junction Box	018876F	018876F
9-S	Kit-Vent Cover Assy	018881F	018881F
10-S	Kit-Vent Mounting Panel Raypak/Rheem/Ruud (Cool Dark Gray) Jacuzzi (Beige)	018882F 018977F	018882F 018977F
11-S	Kit-Panel Left Side Vent Raypak/Rheem/Ruud (Cool Dark Gray) Jacuzzi (Beige)	018883F 018976F	018883F 018976F
12-S	Kit-Panel Junction Box Cover Raypak/Rheem/Ruud (Cool Dark Gray) Jacuzzi (Beige)	018885F 018975F	018885F 018975F
13-S	Kit-Panel Front Raypak (Maroon) Rheem (Warm Dark Gray) Ruud (Cool Dark Gray) Jacuzzi (Beige)	018888F 018889F 018887F 018890F	018888F 018889F 018887F 018890F
14-S	Kit-Panel Rear Raypak (Maroon) Rheem/Ruud (Cool Dark Gray) Jacuzzi (Beige)	018893F 018894F 018895F	018893F 018894F 018895F
15-S	Kit-Base Assy	018892F	018892F
16-S	Kit-Bottom Right Panel UG Raypak/Rheem/Ruud (Cool Dark Gray) Jacuzzi (Beige)	018896F 018978F	018896F 018978F
17-S	Kit-Bottom Right Panel PRV Raypak/Rheem/Ruud (Cool Dark Gray) Jacuzzi (Beige)	018897F 018974F	018897F 018974F
18-S	Kit-Comb Chamber Support	018899F	018899F
V	VENTING		
1-V	Kit-Flue Exhaust	018877F	018877F
2-V	Kit-Flue Exhaust Gasket	018880F	018880F
3-V	Kit-Flue Adapter 4" SS	018932F	018932F
CONVERSION KITS*		264	404
	Nat. to Pro.	N/A	N/A
	Pro. to Nat.	N/A	N/A

* Gas conversions are to be done only by a qualified agency.